

# SIGNATURE

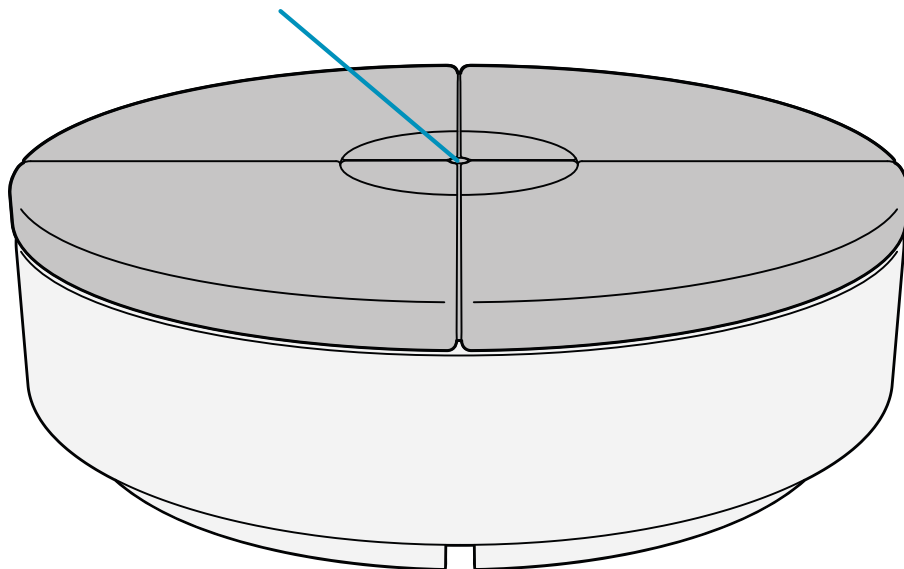
## ROUND SUNBED

### SPECIFICATIONS

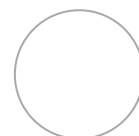
DESIGNED FOR USE IN UP TO 12" OF WATER

WEIGHT EMPTY: 120 LBS | WEIGHT FULL: 1,142 LBS

2" UMBRELLA HOLE



#### CUSHION OPTIONS



ONE PIECE



ONE PIECE WITH UMBRELLA HOLE



TWO PIECE



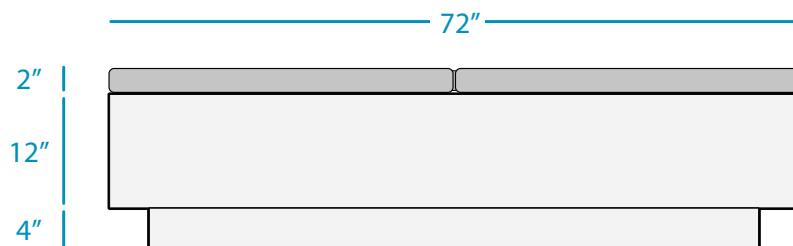
TWO PIECE WITH UMBRELLA HOLE



FIVE PIECE



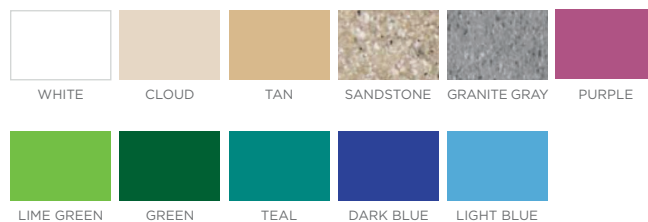
FIVE PIECE WITH UMBRELLA HOLE



#### FEATURES

- Designed for up to 12 inches of water
- Perfect for residential or commercial use
- Built to withstand the sun, weather, and chemicals of any pool or outdoor environment
- Compatible with all pool types, including vinyl
- Crafted of a high-quality, UV16 rated resin, color stabilized for up to 16,000 hours of direct sunlight
- High quality cushion made of outdoor fabrics and EZ-Dri foam, allowing fast water drainage and air circulation
- Customizable cushion options

#### AVAILABLE RESIN COLORS



Available Fabric Colors in marine or sling grade fabric. See website or catalog for details.

- COM available. Requires 10 yards per daybed.