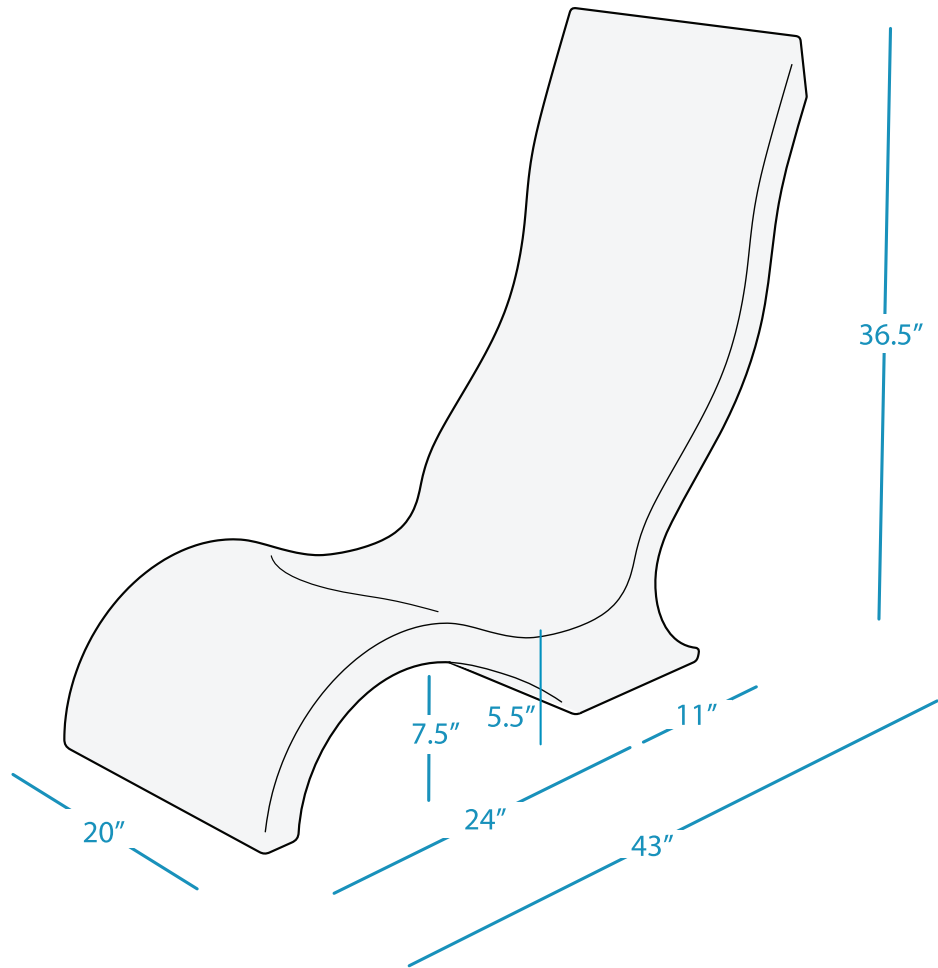


SIGNATURE CHAIR

SPECIFICATIONS

DESIGNED FOR UP TO 9" OF WATER

WEIGHT EMPTY: 33 LBS | WEIGHT FULL: 133 LBS



FEATURES

- Designed for up to 9 inches of water
- Perfect for residential or commercial use
- Built to withstand the sun, weather, and chemicals of any pool or outdoor environment
- Compatible with all pool types, including vinyl
- Crafted of a high-quality, UV16 rated resin, color stabilized for up to 16,000 hours of direct sunlight
- Easy application via threaded plug system
- Excellent lumbar support in seated, upright position

AVAILABLE COLORS



SIGNATURE CHAIR

LAYOUT SUGGESTIONS

Minimum tanning ledge length is the same regardless of water depth.

DEPTH: 0-9" | LENGTH: 34"

