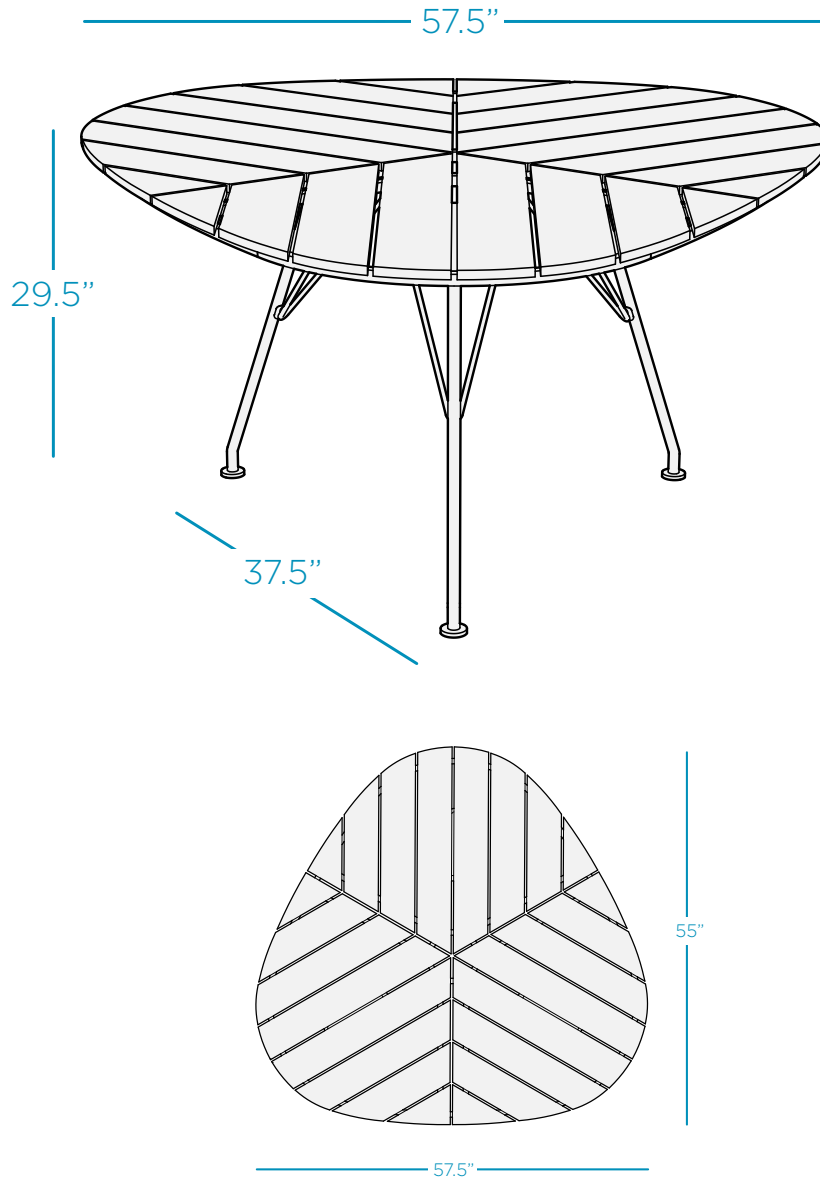


PLAYNK

TRIANGLE DINING TABLE, 58"

SPECIFICATIONS

WEIGHT: 51.5 LBS



FEATURES

- Perfect for residential or commercial settings
- Powder coated frame with bamboo slats
- Withstands outdoor environment without swelling, splintering, fading, or warping
- Seats up to 4
- Assembly required