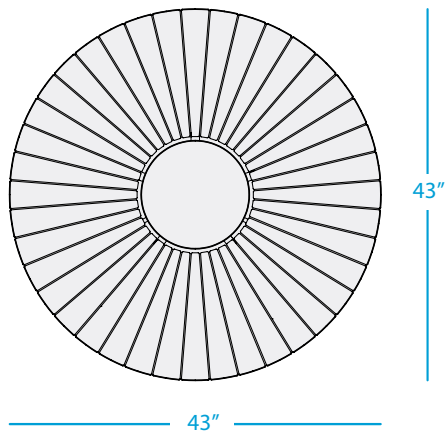
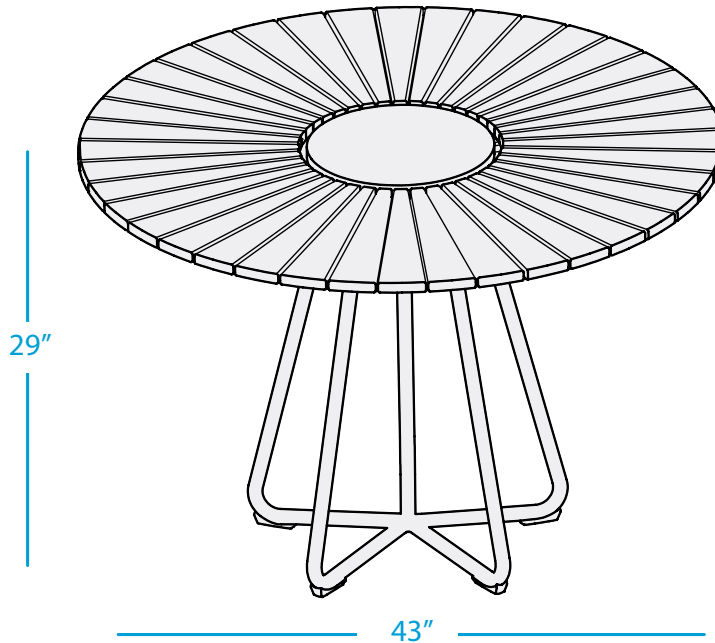


# PLAYNK

## ROUND DINING TABLE, 43"

### SPECIFICATIONS

WEIGHT: 56.5 LBS



### FEATURES

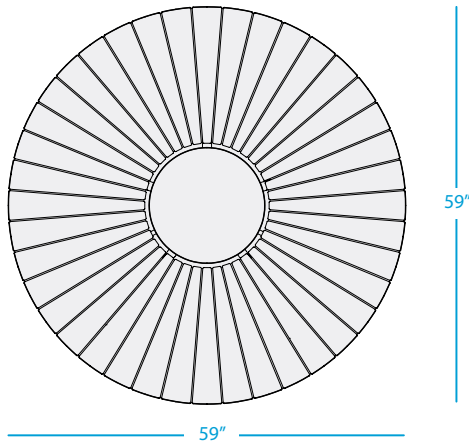
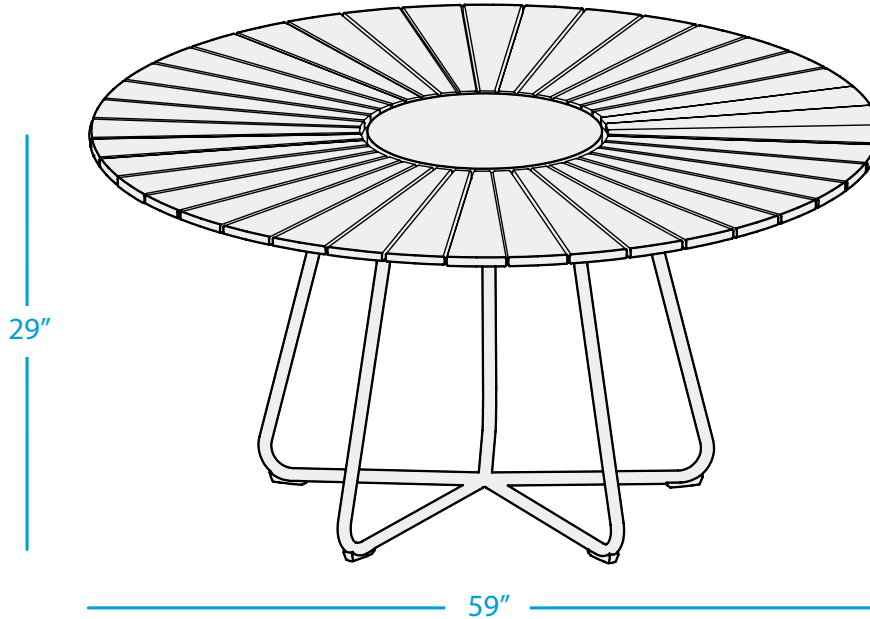
- Perfect for residential or commercial settings
- Powder coated frame with bamboo slats
- Granite accent stone in center
- Withstands outdoor environment without swelling, splintering, fading, or warping
- Seats up to 4
- Assembly required

# PLAYNK

## ROUND DINING TABLE, 59"

### SPECIFICATIONS

WEIGHT: 91.5 LBS



### FEATURES

- Perfect for residential or commercial settings
- Powder coated frame with bamboo slats
- Granite accent stone in center
- Withstands outdoor environment without swelling, splintering, fading, or warping
- Seats up to 5
- Assembly required