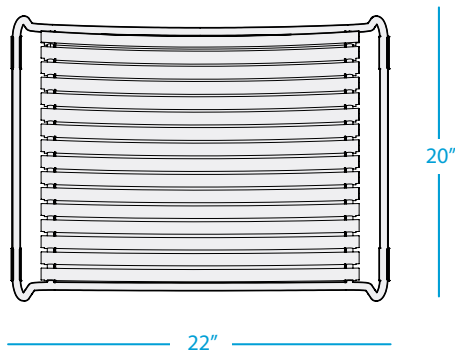
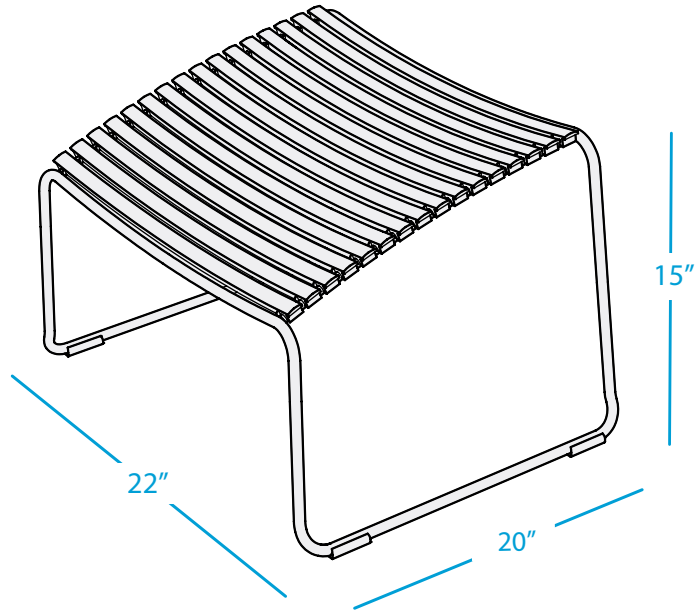


PLAYNK OTTOMAN

SPECIFICATIONS

WEIGHT: 9 LBS



FEATURES

- Perfect for residential or commercial settings
- Powder coated frame
- Slats made of outdoor, UV resistant resin
- Withstands outdoor environment without swelling, splintering, fading, or warping
- Arrives fully assembled

AVAILABLE COLORS

