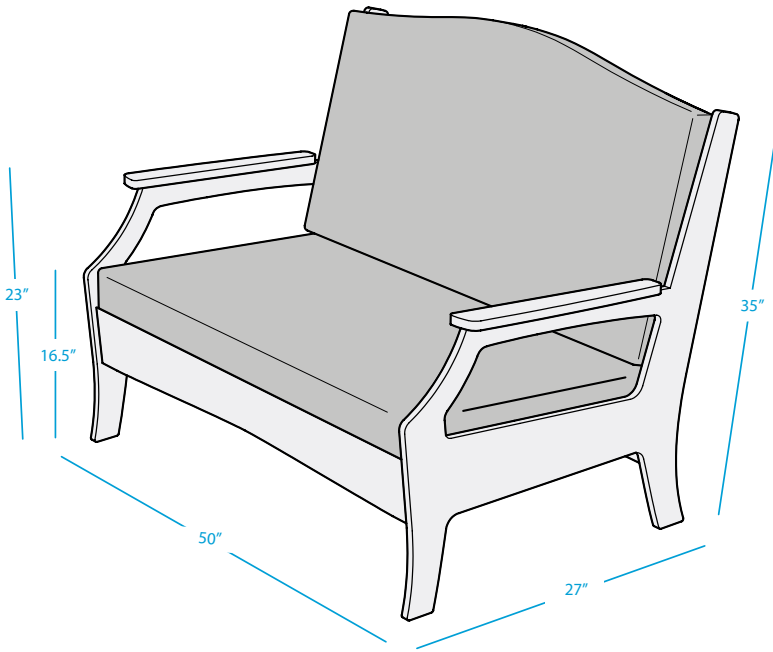


LEGACY

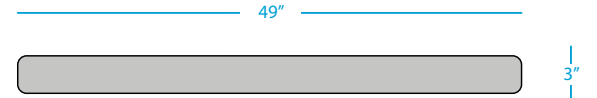
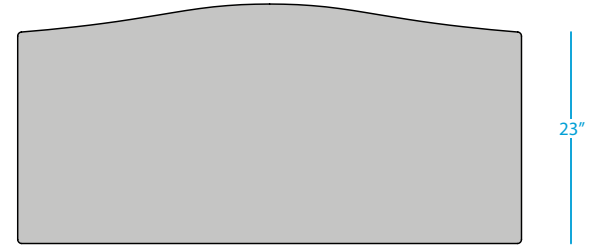
LOVESEAT

SPECIFICATIONS

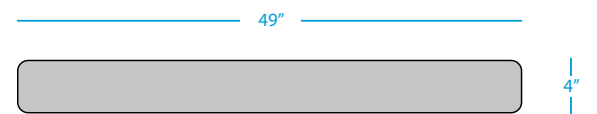
WEIGHT: 90 LBS



Back Cushion



Seat Cushion



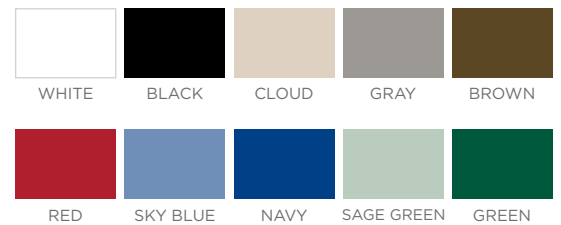
FEATURES

- Perfect for residential or commercial settings
- Crafted of an extruded, high density polyethylene
- UV stable, moisture and mildew resistant
- Withstands outdoor environment without swelling, splintering, fading, or warping
- High quality cushions made of outdoor fabrics and EZ-Dri foam, allowing fast water drainage and air circulation
- Stainless steel hardware
- Assembly required

AVAILABLE FABRICS

Cushions included with Loveseat. Available in all marine grade, sling grade, and furniture grade fabrics. Over 400 options available. See website or catalog for details.

AVAILABLE COLORS



CUSTOMIZABLE SEAT BACK STYLES

