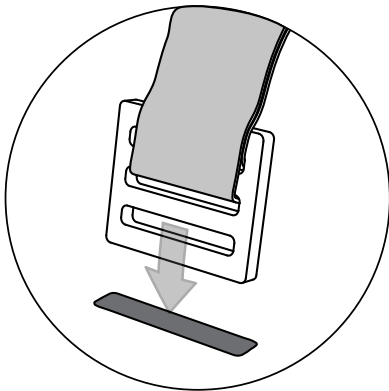
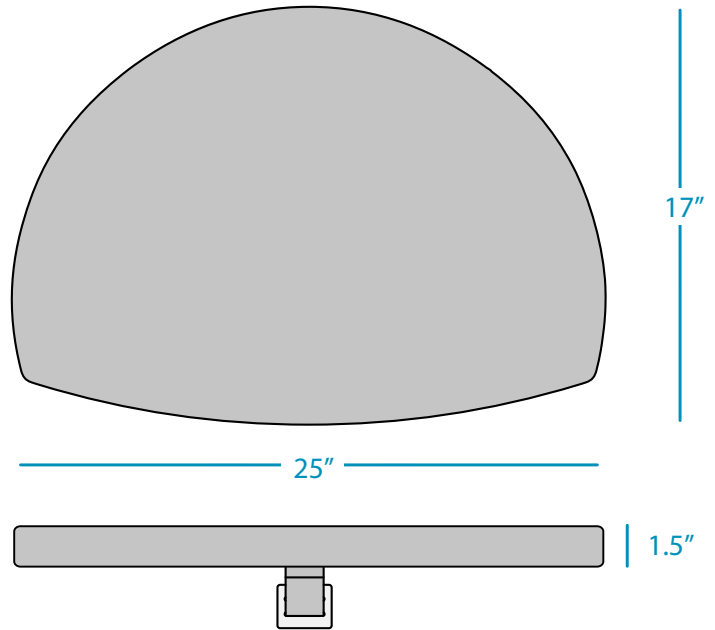
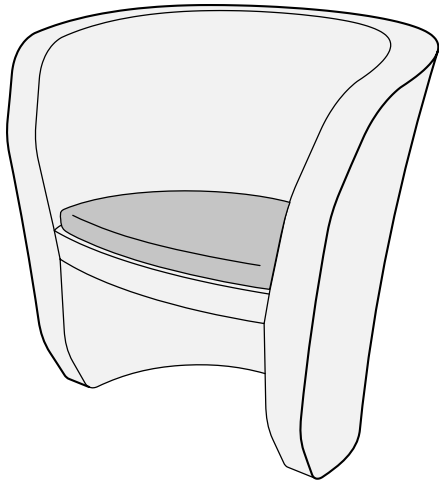


# AFFINITY

## CHAIR SEAT CUSHION

### SPECIFICATIONS

WEIGHT: 1 LBS



Strap and buckle system for easy attachment to the Chair. Located on bottom of cushion.

#### FEATURES

- Designed for the Affinity Chair in up to 16" of water
- Perfect for residential or commercial settings
- Built to withstand the harsh outdoor environment
- Crafted of high quality, water resistant outdoor fabrics
- EZ-Dri foam interior allows fast water drainage and air circulation
- Secure in place with easy strap and buckle system
- Adds comfort, style, and convenience

#### AVAILABLE COLORS

Available in all marine grade, sling grade, and furniture grade fabrics. Over 400 options available. See website or catalog for details.